

HiPerFAST™ IGBT

B2-Class High Speed

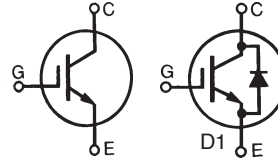
IGBT in ISOPLUS220™ Case

Electrically Isolated Back Surface

IXGC 16N60B2
IXGC 16N60B2D1

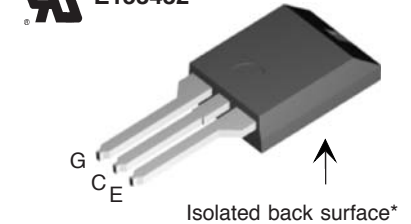
$$\begin{aligned} V_{CES} &= 600 \text{ V} \\ I_{C25} &= 28 \text{ A} \\ V_{CE(sat)} &= 2.3 \text{ V} \\ t_{fi(typ)} &= 80 \text{ ns} \end{aligned}$$

Preliminary Data Sheet



Symbol	Test Conditions	Maximum Ratings	
V_{CES}	$T_J = 25^\circ\text{C}$ to 150°C	600	V
V_{CGR}	$T_J = 25^\circ\text{C}$ to 150°C ; $R_{GE} = 1 \text{ M}\Omega$	600	V
V_{GES}	Continuous	± 20	V
V_{GEM}	Transient	± 30	V
I_{C25}	$T_C = 25^\circ\text{C}$	28	A
I_{C110}	$T_C = 110^\circ\text{C}$	13	A
I_{D110}	$T_C = 110^\circ\text{C}$ (IXGC16N60B2D1 diode)	10	A
I_{CM}	$T_C = 25^\circ\text{C}$, 1 ms	100	A
SSOA (RBSOA)	$V_{GE} = 15 \text{ V}$, $T_J = 125^\circ\text{C}$, $R_G = 22 \Omega$ Clamped inductive load	$I_{CM} = 32$ @ $0.8 V_{CES}$	A
P_C	$T_C = 25^\circ\text{C}$	63	W
T_J		-55 ... +150	$^\circ\text{C}$
T_{JM}		150	$^\circ\text{C}$
T_{stg}		-55 ... +150	$^\circ\text{C}$
F_C	Mounting Force	11..65/2.5..15	N/lb.
V_{ISOL}	Isolation Voltage; 50/60Hz; t = 1minute; RMS	2500	V
	Maximum lead temperature for soldering 1.6 mm (0.062 in.) from case for 10 s	300	$^\circ\text{C}$
Weight		2	g

ISOPLUS 220™ (IXGC)
E153432



G = Gate C = Collector
E = Emitter

Features

- DCB Isolated mounting tab
- UL recognized (E153432)
- Meets TO-273 package Outline
- High current handling capability
- MOS Gate turn-on
- drive simplicity
- Epoxy meets UL94V-0 flammability classification

Applications

- Uninterruptible power supplies (UPS)
- Switched-mode and resonant-mode power supplies
- AC motor speed control
- DC servo and robot drives
- DC choppers

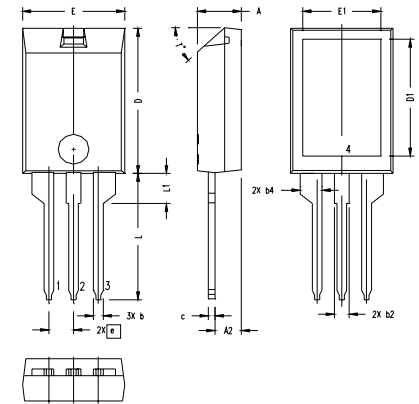
Advantages

- Easy assembly
- High power density
- Very fast switching speeds for high frequency applications

Symbol	Test Conditions	Characteristic Values ($T_J = 25^\circ\text{C}$, unless otherwise specified)		
		min.	typ.	max.
$V_{GE(th)}$	$I_C = 250 \mu\text{A}$, $V_{CE} = V_{GE}$	2.5		5.0 V
I_{CES}	$V_{CE} = V_{CES}$ $V_{GE} = 0 \text{ V}$			25 μA 50 μA
I_{GES}	$V_{CE} = 0 \text{ V}$, $V_{GE} = \pm 20 \text{ V}$			$\pm 100 \text{ nA}$
$V_{CE(sat)}$	$I_C = 12 \text{ A}$, $V_{GE} = 15 \text{ V}$ Note 2		1.8	2.3 V V

Symbol	Test Conditions	Characteristic Values ($T_J = 25^\circ\text{C}$, unless otherwise specified)		
		min.	typ.	max.
g_{fs}	$I_C = 12\text{A}$; $V_{CE} = 10\text{V}$, Note 2.	8	12	S
C_{ies}	$V_{CE} = 25\text{V}$, $V_{GE} = 0\text{V}$, $f = 1\text{MHz}$		780	pF
C_{oes}	16N60B2		55	pF
	16N60B2D1		65	pF
C_{res}			19	pF
Q_g	$I_C = 20\text{A}$, $V_{GE} = 15\text{V}$, $V_{CE} = 0.5 V_{CES}$		32	nC
Q_{ge}			6	nC
Q_{gc}			10	nC
$t_{d(on)}$	Inductive load, $T_J = 125^\circ\text{C}$		25	ns
t_{ri}	$I_C = 12\text{A}$; $V_{GE} = 15\text{V}$		15	ns
$t_{d(off)}$	$V_{CE} = 400\text{V}$; $R_G = R_{off} = 22\ \Omega$		70	150 ns
t_{fi}	Note 1		80	150 ns
E_{off}			150	260 mJ
$t_{d(on)}$	Inductive load, $T_J = 125^\circ\text{C}$		25	ns
t_{ri}	$I_C = 12\text{A}$; $V_{GE} = 15\text{V}$		18	ns
E_{on}	$I_C = 12\text{A}$; $V_{GE} = 15\text{V}$	16N60B2	0.38	mJ
	$V_{CE} = 400\text{V}$; $R_G = R_{off} = 22\ \Omega$	16N60B2D 1	0.8	mJ
$t_{d(off)}$	$V_{CE} = 400\text{V}$; $R_G = R_{off} = 22\ \Omega$		110	ns
t_{fi}	Note 1		170	ns
E_{off}			350	mJ
R_{thJC}				2.0 K/W
R_{thCK}			0.25	K/W

ISOPLUS220 Outline



SYM	INCHES		MILLIMETERS	
	MIN	MAX	MIN	MAX
A	.157	.197	4.00	5.00
A2	.098	.118	2.50	3.00
b	.035	.051	0.90	1.30
b2	.049	.065	1.25	1.65
b4	.093	.100	2.35	2.55
c	.028	.039	0.70	1.00
D	.591	.630	15.00	16.00
D1	.472	.512	12.00	13.00
E	.394	.433	10.00	11.00
E1	.295	.335	7.50	8.50
e	.100 BASIC		2.55 BASIC	
L	.512	.571	13.00	14.50
L1	.118	.138	3.00	3.50
T*			42.5°	47.5°

NOTE:

- Bottom heatsink (Pin 4) is electrically isolated from Pin 1, 2, or 3.
- This drawing will meet dimensional requirement of JEDEC SS Product Outline TO-273 except D and D1 dimension.

Reverse Diode (FRED)

Symbol	Test Conditions	Characteristic Values ($T_J = 25^\circ\text{C}$, unless otherwise specified)		
		min.	typ.	max.
V_F	$I_F = 10\text{A}$, $V_{GE} = 0\text{V}$ $T_J = 125^\circ\text{C}$			2.66 V 1.66 V
I_{RM}	$I_F = 12\text{A}$; $-di_F/dt = 100\text{A}/\mu\text{s}$, $V_R = 100\text{V}$		2.5	A
t_{rr}	$V_{GE} = 0\text{V}$; $T_J = 125^\circ\text{C}$		110	ns
t_{rr}	$I_F = 1\text{A}$; $-di_F/dt = 100\text{A}/\mu\text{s}$; $V_R = 30\text{V}$, $V_{GE} = 0\text{V}$		30	ns
R_{thJC}				2.5 K/W

- Notes:
- Switching times may increase for V_{CE} (Clamp) $> 0.8 \cdot V_{CES}$, higher T_J , or increased R_G .
 - Pulse test, $t < 300\text{ms}$, duty cycle $d < 2\%$

IXYS reserves the right to change limits, test conditions, and dimensions.